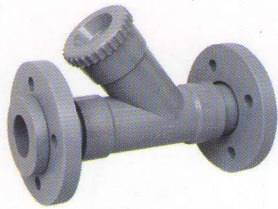
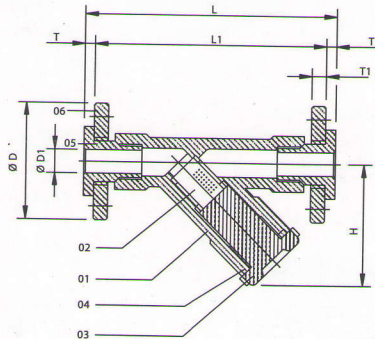


PP Y TYPE STRAINER - Flange End



AVAILABLE SIZE : ½" to 2"



TECHNICAL DATA :

CONSTRUCTION : Single piece body

DESIGN AND MANUFACTURING STD. : As per Manufacturer's Standard

END CONNECTIONS : Flanged as per ANSI B 16.5 (150 #) as per BS 10 (Table D/E/F) & DIN STD.

AVAILABLE M.O.C. :

PP (POLYPROPYLENE)

ISOTACTIC PP

PVDF (POLYVINYLIDENE FLUORIDE)

ALL DIMENSIONS ARE IN MM

(±2 MM)

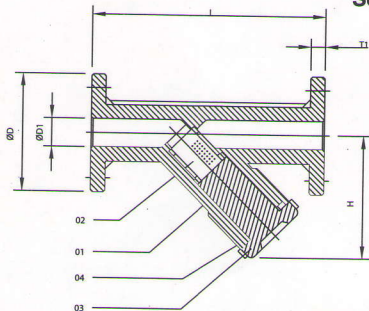
SIZE		Ø D	Ø D1	L	L1	T	T1	H
IN.	MM.							
1 "	25	123.5	25	226	200	13.0	19.0	92.0
1 ½ "	40	142.0	39	278	252	13.0	22.0	115.0
2 "	50	166.0	49	310	282	14.0	22.0	148.5



Cloth Type Screen



AVAILABLE SIZE : 2½" to 4" PP Moulded Screen



NO.	DESCRIPTION	MATERIAL OPTION	QTY.
01	BODY	PP / ISOPP / PVDF	1
02	SCREEN	80 MESH PP	1
03	COVER	PP / ISOPP / PVDF	1
04	COVER GASKET	NEOPRENE RUBBER	1

ALL DIMENSIONS ARE IN MM

(±2 MM)

SIZE		Ø D	Ø D1	L	T	H
IN.	MM					
3 "	80	203	78	300	24	182
4 "	100	229	102	343	25	228

PP Y TYPE STRAINER - Screw End



Note : We will also provide in :

- Screen 20 Mesh, 40 Mesh, 60 Mesh, 80 Mesh, 100 Mesh, 120 Mesh Nylon cloth/ SS
 - EPDM / Viton Rubber
 - M.O.C.: PVDF / PP-H
- for details & prices Contact us.

WORKING PRESSURE	
BODY	TEMP.
100 PSI	80° C