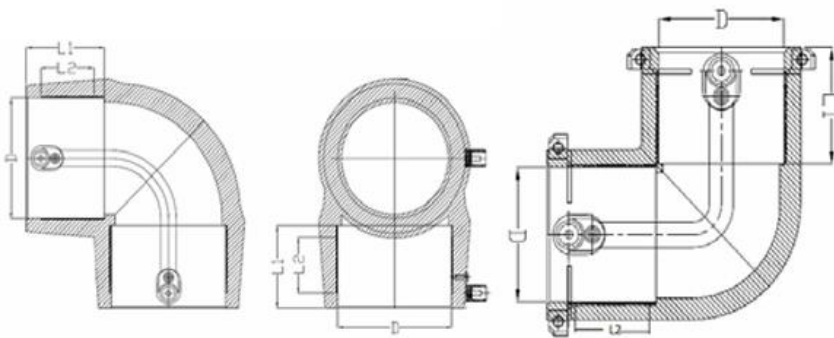


Elbow 90 Degree

Standard: BS EN 12201-3:2011 / EN 1555-3 : 2021

Material : PE-100, Black Colour

Pressure Rating: SDR11/PN16



Without IC

With IC

Dimensions (mm)

Sizes	Nominal Internal Diameter D	Penetration Length L1	Fusion Length L2
90 Deg. - 20 mm	20.00 - 20.45	31.00 - 33.00	15.00 - 17.00
90 Deg. - 25 mm	25.00 - 25.45	35.00 - 37.00	11.00 - 13.00
90 Deg. - 32 mm	32.00 - 32.55	35.00 - 37.00	14.00 - 16.00
90 Deg. - 40 mm	40.00 - 40.55	49.00 - 51.00	25.00 - 27.00
90 Deg. - 50 mm	50.00 - 50.60	52.00 - 54.00	27.00 - 29.00
90 Deg. - 63 mm	63.00 - 63.90	42.00 - 44.00	19.00 - 21.00
90 Deg. - 75 mm	75.00 - 75.90	46.00 - 48.00	25.00 - 27.00
90 Deg. - 90 mm	90.00 - 90.90	52.00 - 54.00	31.00 - 33.00
90 Deg. - 110mm	110.00 - 110.90	61.00 - 63.00	29.00 - 31.00
90 Deg. - 125 mm	125.00 - 126.00	81.00 - 83.00	44.00 - 46.00
90 Deg. - 160 mm	160.00 - 161.50	95.00 - 98.00	36.00 - 38.00
90 Deg. - 180 mm	180.00 - 181.50	86.00 - 89.00	48.00 - 51.00

ELBOW 90 DEGREE

Dimensions (mm)

	Nominal Internal Diameter	Penetration Length	Fusion Length
Sizes	D	L1	L2
90 Deg. - 200 mm	200.00 - 201.80	92.00 - 95.00	49.00 - 52.00
90 Deg. - 225 mm	225.00 - 227.10	101.00 - 105.00	56.00 - 60.00
90 Deg. - 250 mm	250.00 - 252.30	105.00 - 109.00	51.00 - 55.00
90 Deg. - 280 mm	280.00 - 282.60	111.00 - 115.00	56.00 - 60.00
90 Deg. - 315 mm	315.00 - 317.90	129.00 - 134.00	65.00 - 69.00

Al Aziz Plastics
LIMITLESS INNOVATIONS



A consumer validated Superbrand in piping category for consecutive 5 years



India's Most Trusted Pipe Brand based on TRA's Brand Trust Report for the 6th time



Astral Limited

CIN: L25200GJ1996PLC029134

Registered & Corporate Office: 207/1, 'Astral House', B/h Rajpath Club, off S. G. Highway, Ahmedabad - 380059, Gujarat, India. P: +91 79 6621 2000

F: +91 79 6621 2121 | W: astralltd.com

ASTRAL TOLL FREE
1800 233 7957

Please get in touch with us between 10 AM to 6 PM between Monday to Friday and the last Saturday of the month. We will remain closed on Public Holidays.

Terms And Conditions:

1. Taxes will be extra as may be applicable
 2. FREIGHT: Freight will be extra at actual
 3. INSURANCE: Insurance will be extra at actual
 4. All disputes are subject to jurisdiction of Ahmedabad only
- THE COMPANY HOLDS THE RIGHT TO REVISE THE PRICE WITHOUT PRIOR INTIMATION