

Al Aziz Plastics



LIMITLESS INNOVATIONS

Product Catalogue

Fittings for Water Distribution

Compression Fittings

Electrofusion Fittings



January 2023

CF-2



Al Aziz Group has fiercely embraced *Limitless* for over 3 decades to revolutionize the fittings and accessory industry.

Our relentless innovations further our dreams, initiatives, and interests.



We started with a tall dream— to provide complete wiring solutions for every conceivable need spanning diverse domestic & industrial applications.

Our innovative designs and sheer commitment have earned us the leadership position in the Electrofusion Fittings for distribution of gas, Compression Fittings for water distribution and Solar Fittings; engineering and aesthetics blended in perfect harmony.



Our Brands





We are a leading manufacturing company in India engaged in innovation, production and distribution of world class products in India and abroad. Over the years we have created an enviable portfolio of patented products.

We conceive, design, engineer and manufacture the products with relentless precision and quality control. Our products pass stringent global tests and standards before being dispatched. We continuously invest in innovative manufacturing as well as testing tools and technologies that help us bring down the costs while substantially improving quality. Our products have been accredited by leading product certifying agencies like Exova, GL Group, Advantica, CIPET amongst others.





Compression Fittings tested as per ISO 17885:2021

The entire range of electrofusion fittings tested as per EN 1555-3, EN 12201-3, ISO 8085, GIS PL2-4.

Central Institute of Plastics Engineering and Technology (CIPET) Tested and Approved Products

Product Conformity Certification by SGS, India

WRAS Approved for Drinking Water Applications

An ISO 9001:2015 Company Certified by





In the drive for Innovation through relentless perseverance and patience, we have found the balance for an economically viable, socially responsible and environmentally responsible alternatives of the future.



Our untiring efforts and deeper commitment to quality have been rewarded immensely.







Water Distribution

Compression Fittings

Exciting
initiatives.
Fresh
Opportunities.



Adaptor Both Side	CF - 15
Elbow Both Side	CF - 16
Adaptor Female	CF - 17
Adaptor Male	CF - 18
Elbow Female	CF - 19
Elbow Male	CF - 20
Reducer	CF - 21
Tee	CF - 22
uPVC Ball Valve	CF - 23
Compression Ferrule	CF - 24
Hot Neck	CF - 25
Stop Cock	CF - 26

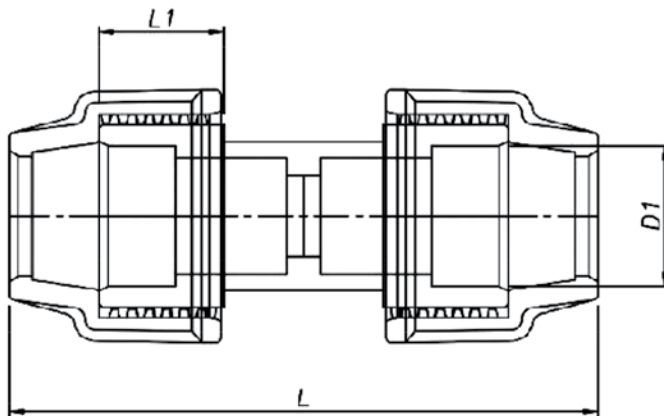


Adaptor Both Side

Standard: ISO 17885:2021

Material : Polypropylene

Pressure Rating: PN16



Size	D1	Dimensions(mm)	
		L	L1
20 mm	25.00 - 26.00	123.00 - 126.00	21.00 - 23.00
25 mm	31.50 - 32.50	126.00 - 130.00	25.00 - 26.00
32 mm	36.00 - 38.00	138.00 - 141.00	31.00 - 33.00
40 mm	46.00 - 48.00	133.00 - 136.00	32.00 - 33.00
50 mm	56.00 - 57.00	134.00 - 137.00	32.00 - 33.00
63 mm	69.00 - 71.00	150.00 - 153.00	32.00 - 33.00



List of Components:-

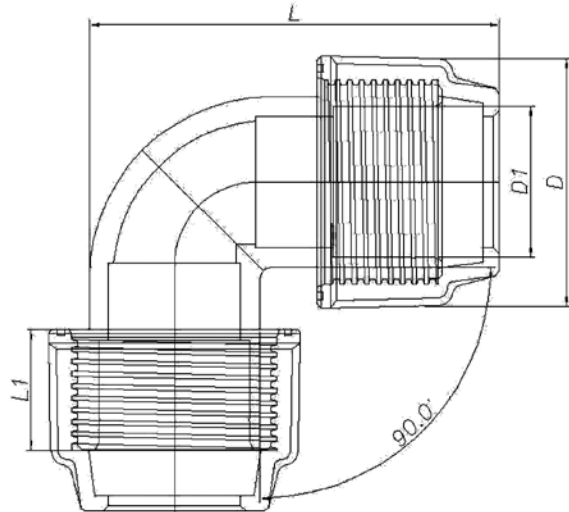
1. Main Body – 01 Number
2. Rubber Gasket – 02 Number
3. Thrust Ring – 02 Number
4. Gripper – 02 Number
5. Compression Cap – 02 Number

Elbow Both Side

Standard: ISO 17885:2021

Material : Polypropylene

Pressure Rating: PN16



Dimensions(mm)

Size	D	D1	L	L1
20 mm	45.00 - 47.00	24.00 - 26.00	79.00 - 85.00	21.00 - 23.00
25 mm	51.00 - 53.00	31.50 - 32.50	85.00 - 90.00	24.00 - 27.00
32 mm	63.00 - 65.00	36.00 - 38.00	113.00 - 119.00	31.00 - 34.00
40 mm	78.00 - 80.00	46.00 - 48.00	127.00 - 130.00	31.00 - 34.00
50 mm	88.00 - 90.00	55.00 - 57.00	140.00 - 144.00	32.00 - 33.00
63 mm	101.00 - 104.00	69.00 - 71.00	154.00 - 159.00	32.00 - 33.00

List of Components:-

1. Main Body – 01 Number
2. Rubber Gasket – 02 Number
3. Thrust Ring – 02 Number
4. Gripper – 02 Number
5. Compression Cap – 02 Number

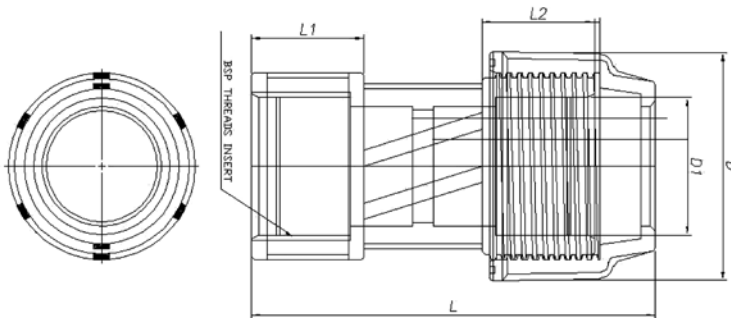


Adaptor Female

Standard: ISO 17885:2021

Material : Polypropylene

Pressure Rating: PN16



Size	Dimensions(mm)					
	D	D1	L	L1	L2	Thread
20x1/2"	45.00 -	24.75 -	76.00 -	22.00 -	21.50 -	1/2"
	48.00	26.00	79.00	23.00	23.00	BSP
25x3/4"	51.00 -	31.50 -	104.00 -	25.00 -	25.00 -	3/4"
	54.00	32.50	107.00	26.00	26.00	BSP
32x1"	63.00 -	36.00 -	115.00 -	31.00 -	31.00 -	1"
	65.00	38.00	120.00	34.00	34.00	BSP



List of Components:-

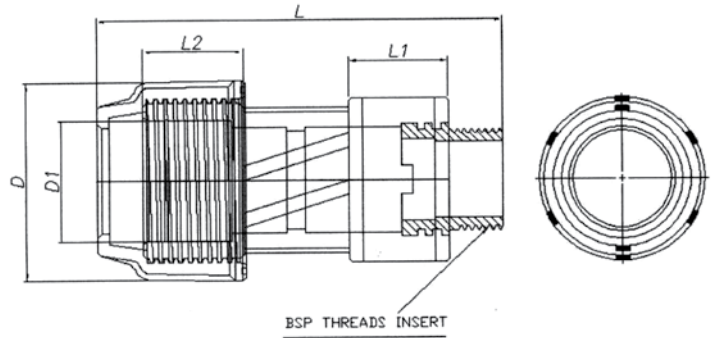
1. Main Body – 01 Number
2. Rubber Gasket – 01 Number
3. Thrust Ring – 01 Number
4. Gripper – 01 Number
5. Compression Cap – 01 Number
6. Metal Insert – 01 Number

Adaptor Male

Standard: ISO 17885:2021

Material : Polypropylene

Pressure Rating: PN16

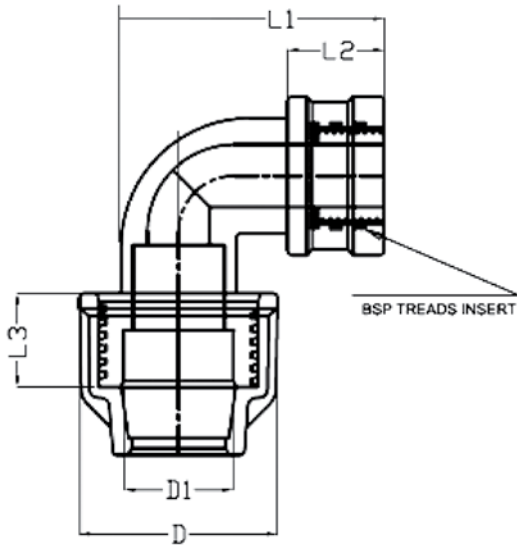


Size	Dimensions(mm)					Thread
	D	D1	L	L1	L2	
20x1/2"	45.00 -	24.75 -	92.50 -	22.00 -	21.50 -	1/2"
	48.00	26.00	93.50	23.00	23.00	BSPT
25x3/4"	51.00 -	31.50 -	120.00 -	25.00 -	25.00 -	3/4"
	54.00	32.50	124.00	26.00	26.00	BSPT
32x1"	63.00 -	36.00 -	133.00 -	31.00 -	31.00 -	1"
	65.00	38.00	137.00	34.00	34.00	BSPT

List of Components:-

1. Main Body – 01 Number
2. Rubber Gasket – 01 Number
3. Thrust Ring – 01 Number
4. Gripper – 01 Number
5. Compression Cap – 01 Number
6. Metal Insert – 01 Number





Elbow Female

Standard: ISO 17885:2021

Material : Polypropylene

Pressure Rating: PN16

Size	Dimensions(mm)					
	D	D1	L1	L2	L3	Thread
20x1/2"	45.00 -	24.75 -	61.00 -	22.00 -	21.50 -	1/2"
	48.00	26.00	63.00	23.00	23.00	BSP
25x3/4"	51.00 -	31.50 -	67.00 -	22.00 -	25.00 -	3/4"
	54.00	32.50	69.00	25.00	26.00	BSP
32x1"	63.00 -	36.00 -	81.00 -	27.00 -	31.00 -	1"
	65.00	38.00	85.00	29.00	34.00	BSP



List of Components:-

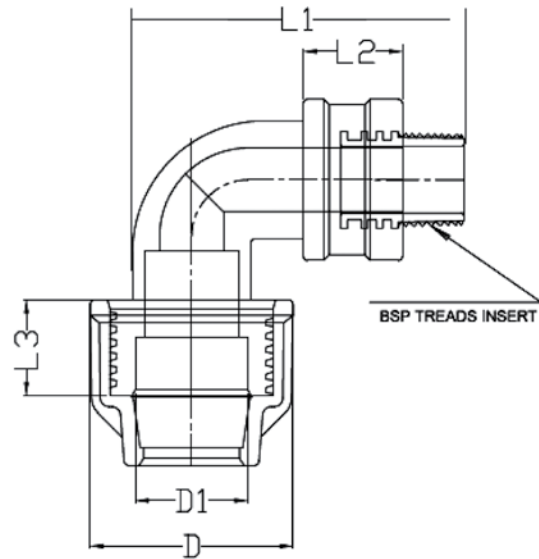
1. Main Body – 01 Number
2. Rubber Gasket – 01 Number
3. Thrust Ring – 01 Number
4. Gripper – 01 Number
5. Compression Cap – 01 Number
6. Metal Insert – 01 Number

Elbow Male

Standard: ISO 17885:2021

Material : Polypropylene

Pressure Rating: PN16



Dimensions(mm)

Size	D	D1	L1	L2	L3	Thread
20x1/2"	45.00 - 48.00	24.75 - 26.00	76.00 - 79.00	22.00 - 23.00	21.50 - 23.00	1/2" BSPT
25x3/4"	51.00 - 54.00	31.50 - 32.50	82.00 - 84.00	22.00 - 25.00	25.00 - 26.00	3/4" BSPT
32x1"	63.00 - 65.00	36.00 - 38.00	96.00 - 101.00	27.00 - 29.00	31.00 - 34.00	1" BSPT

List of Components:-

1. Main Body – 01 Number
2. Rubber Gasket – 01 Number
3. Thrust Ring – 01 Number
4. Gripper – 01 Number
5. Compression Cap – 01 Number
6. Metal Insert – 01 Number

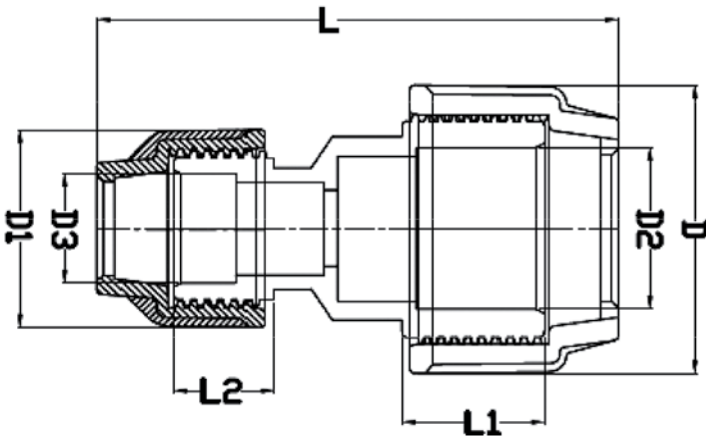


Reducer

Standard: ISO 17885:2021

Material : Polypropylene

Pressure Rating: PN16



Dimensions(mm)

Size	D	D1	D2	D3	L	L1	L2
32x20 mm	63.00 - 65.00	45.00 - 47.00	36.00 - 38.00	24.00 - 26.00	121.00 - 124.00	31.00 - 34.00	21.00 - 23.00
32x25 mm	63.00 - 65.00	51.00 - 53.00	36.00 - 39.00	31.50 - 32.50	125.00 - 128.00	31.00 - 34.00	24.00 - 27.00

List of Components:-

1. Main Body – 01 Number
2. Rubber Gasket – 02 Number
3. Thrust Ring – 02 Number
4. Gripper – 02 Number
5. Compression Cap – 02 Number

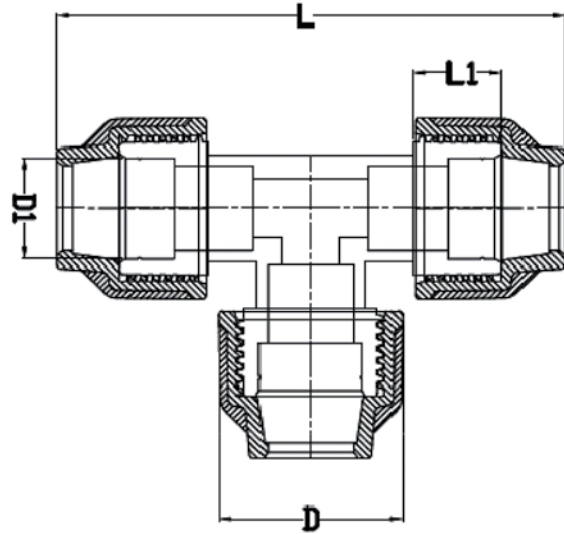


Tee

Standard: ISO 17885:2021

Material : Polypropylene

Pressure Rating: PN16



Dimensions(mm)

Size	D	D1	L	L1
20 mm	45.00 - 47.00	25.00 - 26.00	126.00 - 129.00	21.00 - 23.00
25 mm	51.00 - 53.00	31.50 - 32.50	136.00 - 139.00	25.00 - 26.00
32 mm	63.00 - 65.00	36.00 - 39.00	176.00 - 179.00	31.00 - 33.00
40 mm	78.00 - 80.00	46.00 - 48.00	213.00 - 218.00	31.00 - 34.00
50 mm	88.00 - 90.00	56.00 - 57.00	217.00 - 221.00	32.00 - 33.00

List of Components:-

1. Main Body – 01 Number
2. Rubber Gasket – 03 Number
3. Thrust Ring – 03 Number
4. Gripper – 03 Number
5. Compression Cap – 03 Number

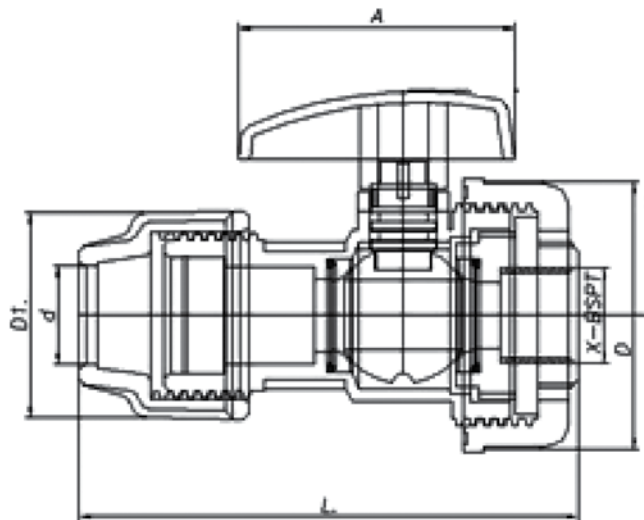


uPVC Ball Valve

Standard: ISO 1452 Part-4

Material : uPVC

Pressure Rating: PN16



Dimensions(mm)

Size	A	D	D1	d	L
20 mm	61.00 - 62.00	55.00 - 56.50	45.00 - 46.00	21.00 - 22.00	107.00 - 109.00
25 mm	64.00 - 66.00	62.00 - 65.00	51.00 - 53.00	31.50 - 32.50	119.00 - 122.00
32 mm	69.00 - 72.00	63.00 - 66.00	63.00 - 65.00	36.00 - 39.00	128.00 - 131.00

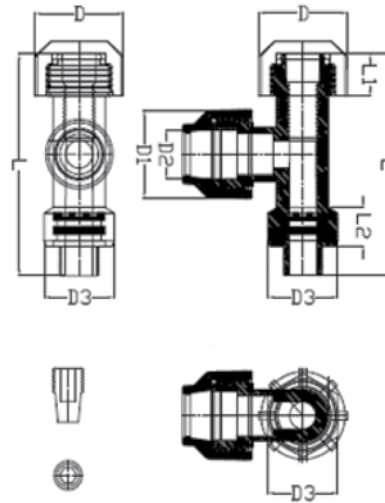


Compression Ferrule

Standard: ISO 17885:2021

Material : Polypropylene

Pressure Rating: PN16



Dimensions(mm)

Size	D	D1	D2	D3	L	L1	L2
20x1/2"	45.00 - 48.00	45.00 - 47.00	24.00 - 26.00	34.00 - 37.00	112.00 - 115.00	21.00 - 24.00	18.00 - 21.00

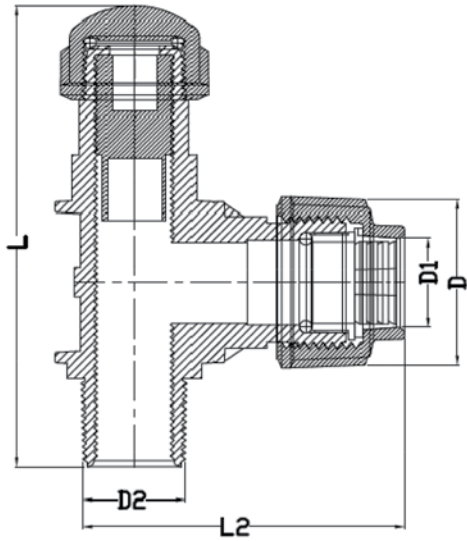
List of Components:-

1. Main Body – 01 Number
2. Rubber Gasket – 01 Number
3. Rubber Oring – 01 Number
4. Thrust Ring – 01 Number
5. Gripper – 01 Number
6. Compression Cap – 01 Number
7. Top Cap- 01 Number
8. Metal Insert – 01 Number
9. Regulator – 01 Number



Hot Neck

Material : Polypropylene
 Pressure Rating: PN16



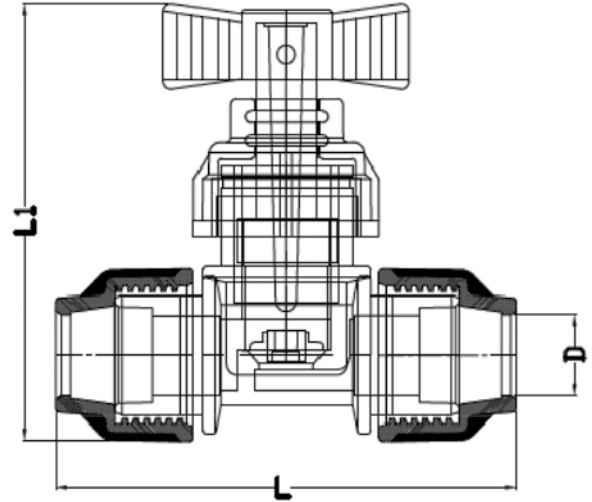
Size	Dimensions(mm)				
	D	D1	D2	L	L2
25x1"	54.00 - 56.00	31.00 - 33.00	1" BSP	148.00 - 150.00	104.00 - 106.00



Stop Cock

Material : Polypropylene

Pressure Rating: PN16



Size	Dimensions(mm)		
	D	L	L1
20 mm	24.00 - 25.00	132.00 - 134.00	118.00 - 120.00
25 mm	31.00 - 32.00	137.00 - 141.00	124.00 - 127.00
32 mm	40.00 - 41.00	168.00 - 171.00	129.00 - 131.00



CF-26





Water Distribution

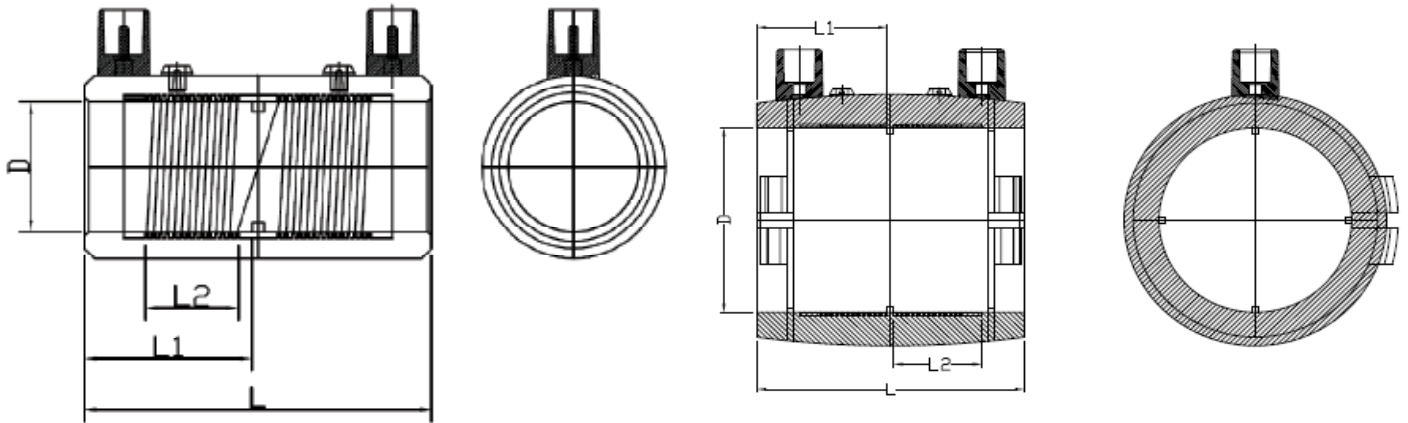
Electrofusion Fittings

Couplers	CF - 31
Elbow 90 Degree	CF - 33
Elbow 45 Degree	CF - 35
End Cap	CF - 37
Equal Tee	CF - 39
Equal Tee - Kit	CF - 41
Reducer	CF - 42
Reducer Kits	CF - 44
Tapping Tee	CF - 48
Transition Coupler - IC	CF - 51
Transition Elbow	CF - 52
All Electro Fusion Equal Tees - IC	CF - 53
Stub End	CF - 54
Transition Coupler Fitting - Kit	CF - 56

Couplers

Standard: BS EN 12201-3:2011 / EN 1555-3 : 2021

Material : PE-100, Black Colour



Without IC

With IC

Dimensions (mm)

	Nominal Internal Diameter	Overall Length	Penetration Length	Fusion Length
Sizes	D	L	L1	L2

Pressure Rating: SDR11/PN16

20 mm	20.00 - 20.45	68.00 - 70.00	33.00 - 35.00	17.00 - 19.00
20 mm - IC	20.00 - 20.45	63.00 - 65.00	29.00 - 31.00	11.00 - 13.00
25 mm	25.00 - 25.45	68.00 - 70.00	32.00 - 34.00	13.00 - 15.00
32 mm - IC	32.00 - 32.55	69.00 - 71.00	31.00 - 33.00	14.00 - 16.00
40 mm	40.00 - 40.55	98.00 - 100.00	46.00 - 48.00	27.00 - 29.00
50 mm	50.00 - 50.60	108.00 - 110.00	52.00 - 54.00	26.00 - 28.00
50 mm- S	50.00 - 50.60	57.00 - 59.00	26.00 - 28.00	9.00 - 11.00
63 mm - IC	63.00 - 63.90	87.00 - 89.00	40.00 - 42.00	19.00 - 21.00
63 mm - S	63.00 - 63.90	62.00 - 64.00	29.00 - 31.00	12.00 - 14.00
75 mm	75.00 - 75.90	102.00 - 104.00	42.00 - 44.00	25.00 - 27.00

COUPLERS

Dimensions (mm)

	Nominal Internal Diameter	Overall Length	Penetration Length	Fusion Length
Sizes	D	L	L1	L2

Pressure Rating: SDR11/PN16

90 mm	90.00 - 90.90	114.00 - 116.0	50.00 - 52.00	25.00 - 27.00
110 mm	110.00 - 110.90	107.00 - 110.00	52.00 - 55.00	24.00 - 27.00
125 mm	125.00 - 126.00	142.00 - 145.00	63.00 - 66.00	30.00 - 33.00
140 mm	140.00 - 141.30	154.00 - 157.00	75.00 - 78.00	37.00 - 40.00
160 mm	160.00 - 161.50	167.00 - 170.00	82.00 - 85.00	34.00 - 37.00
180 mm	180.00 - 181.50	177.00 - 180.00	86.00 - 89.00	48.00 - 51.00
200 mm	200.00 - 201.80	186.00 - 189.00	92.00 - 95.00	49.00 - 52.00

Pressure Rating: SDR17/PN10

225 mm	225.00 - 227.10	206.00 - 210.00	101.00 - 105.00	56.00 - 60.00
250 mm	250.00 - 252.30	211.00 - 215.00	105.00 - 109.00	51.00 - 55.00
280 mm	280.00 - 282.60	219.00 - 224.00	111.00 - 115.00	56.00 - 60.00
315 mm	315.00 - 317.90	253.00 - 257.00	129.00 - 134.00	65.00 - 69.00

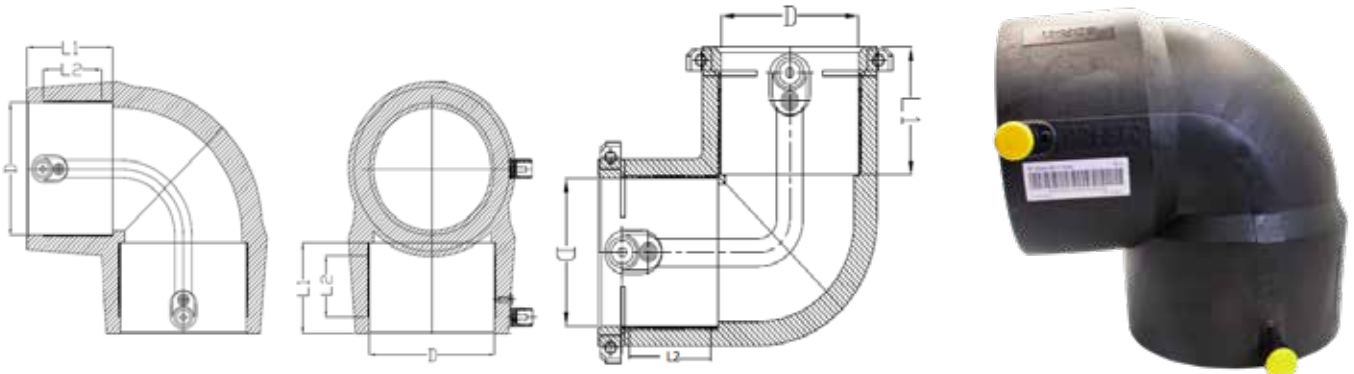


Elbow 90 Degree

Standard: BS EN 12201-3:2011 / EN 1555-3 : 2021

Material : PE-100, Black Colour

Pressure Rating: SDR11/PN16



Without IC

With IC

Dimensions (mm)

	Nominal Internal Diameter	Penetration Length	Fusion Length
Sizes	D	L1	L2
90 Deg. - 20 mm	20.00 - 20.45	31.00 - 33.00	15.00 - 17.00
90 Deg. - 25 mm	25.00 - 25.45	35.00 - 37.00	11.00 - 13.00
90 Deg. - 32 mm	32.00 - 32.55	35.00 - 37.00	14.00 - 16.00
90 Deg. - 40 mm	40.00 - 40.55	49.00 - 51.00	25.00 - 27.00
90 Deg. - 50 mm	50.00 - 50.60	52.00 - 54.00	27.00 - 29.00
90 Deg. - 63 mm	63.00 - 63.90	42.00 - 44.00	19.00 - 21.00
90 Deg. - 75 mm	75.00 - 75.90	46.00 - 48.00	25.00 - 27.00
90 Deg. - 90 mm	90.00 - 90.90	52.00 - 54.00	31.00 - 33.00
90 Deg. - 110mm	110.00 - 110.90	61.00 - 63.00	29.00 - 31.00
90 Deg. - 125 mm	125.00 - 126.00	81.00 - 83.00	44.00 - 46.00
90 Deg. - 160 mm	160.00 - 161.50	95.00 - 98.00	36.00 - 38.00
90 Deg. - 180 mm	180.00 - 181.50	86.00 - 89.00	48.00 - 51.00

ELBOW 90 DEGREE

Dimensions (mm)

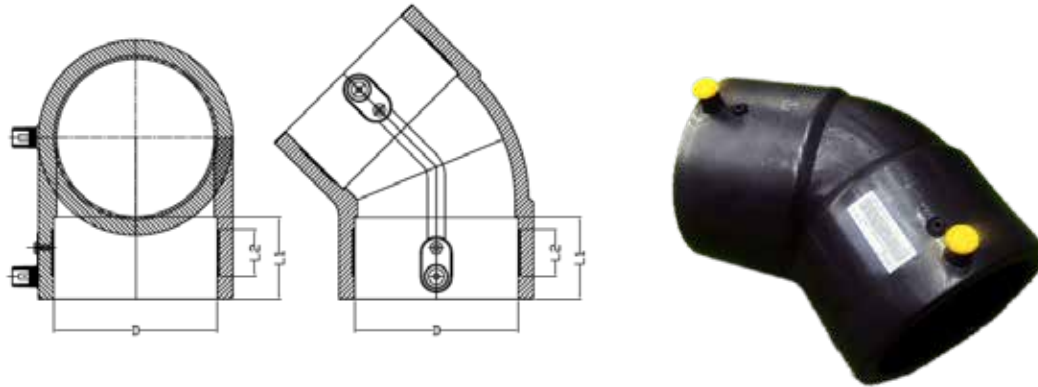
	Nominal Internal Diameter	Penetration Length	Fusion Length
Sizes	D	L1	L2
90 Deg. - 200 mm	200.00 - 201.80	92.00 - 95.00	49.00 - 52.00
90 Deg. - 225 mm	225.00 - 227.10	101.00 - 105.00	56.00 - 60.00
90 Deg. - 250 mm	250.00 - 252.30	105.00 - 109.00	51.00 - 55.00
90 Deg. - 280 mm	280.00 - 282.60	111.00 - 115.00	56.00 - 60.00
90 Deg. - 315 mm	315.00 - 317.90	129.00 - 134.00	65.00 - 69.00

Elbow 45 Degree

Standard: BS EN 12201-3:2011 / EN 1555-3 : 2021

Material : PE-100, Black Colour

Pressure Rating: SDR11/PN16



Dimensions (mm)

	Nominal Internal Diameter	Penetration Length	Fusion Length
Sizes	D	L1	L2
45 Deg. - 20 mm	20.00 - 20.45	31.00 - 33.00	15.00 - 17.00
45 Deg. - 25 mm	25.00 - 25.45	35.00 - 37.00	11.00 - 13.00
45 Deg. - 32 mm	32.00 - 32.55	35.00 - 37.00	14.00 - 16.00
45 Deg. - 40 mm	40.00 - 40.55	49.00 - 51.00	25.00 - 27.00
45 Deg. - 50 mm	50.00 - 50.60	52.00 - 54.00	27.00 - 29.00
45 Deg. - 63 mm	63.00 - 63.90	42.00 - 44.00	19.00 - 21.00
45 Deg. - 75 mm	75.00 - 75.90	46.00 - 48.00	25.00 - 27.00
45 Deg. - 90 mm	90.00 - 90.90	52.00 - 54.00	31.00 - 33.00
45 Deg. - 110mm	110.00 - 110.90	61.00 - 63.00	29.00 - 31.00
45 Deg. - 125 mm	125.00 - 126.00	86.00 - 89.00	44.00 - 46.00
45 Deg. - 160 mm	160.00 - 161.50	95.00 - 98.00	36.00 - 38.00
45 Deg. - 180 mm	180.00 - 181.50	86.00 - 89.00	48.00 - 51.00

Dimensions (mm)

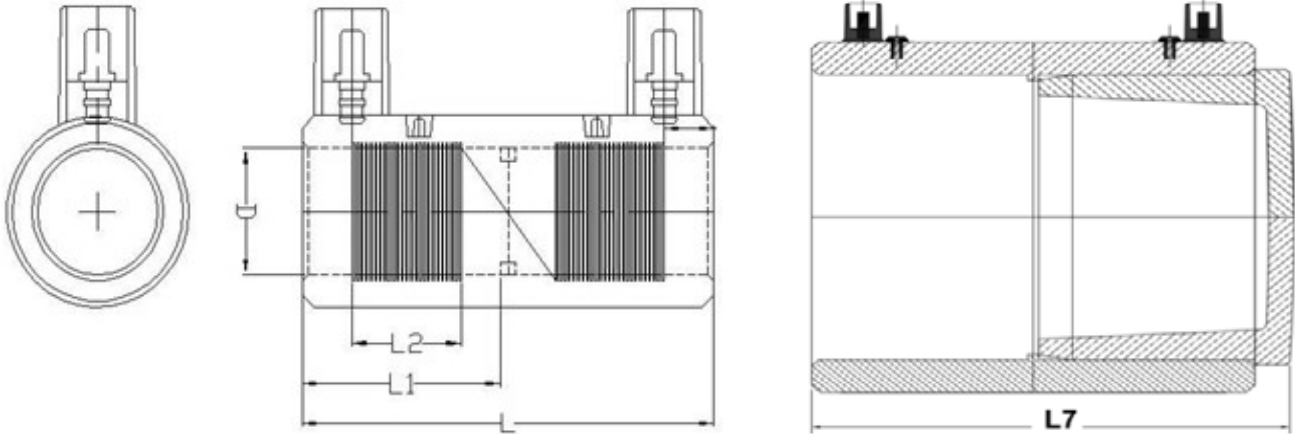
ELBOW 45 DEGREE

	Nominal Internal Diameter	Penetration Length	Fusion Length
Sizes	D	L1	L2
45 Deg. - 200 mm	200.00 - 201.80	92.00 - 95.00	49.00 - 52.00
45 Deg. - 225 mm	225.00 - 227.10	101.00 - 105.00	56.00 - 60.00
45 Deg. - 250 mm	250.00 - 252.30	105.00 - 109.00	51.00 - 55.00
45 Deg. - 280 mm	280.00 - 282.60	111.00 - 115.00	56.00 - 60.00
45 Deg. - 315 mm	315.00 - 317.90	129.00 - 134.00	65.00 - 69.00

End Cap

Standard: BS EN 12201-3:2011 / EN 1555-3 : 2021

Material : PE-100,SDR 11, Black Colour



Without IC

With IC

Dimensions (mm)

	Nominal Internal Diameter	Length	Penetration Length	Fusion Length	Over all Length
Sizes	D	L	L1	L2	L7

Pressure Rating: SDR11/PN16

20 mm	20.00 - 20.45	68.00 - 70.00	33.00 - 35.00	17.00 - 19.00	84.00 - 88.00
25 mm	25.00 - 25.45	68.00 - 70.00	32.00 - 34.00	13.00 - 15.00	84.00 - 88.00
32 mm	32.00 - 32.55	69.00 - 71.00	31.00 - 33.00	14.00 - 16.00	83.00 - 87.00
40 mm	40.00 - 40.55	98.00 - 100.00	46.00 - 48.00	27.00 - 29.00	112.00 - 116.00
50 mm	50.00 - 50.60	108.00 - 110.00	52.00 - 54.00	26.00 - 28.00	120.00 - 124.00
63 mm	63.00 - 63.90	87.00 - 89.00	40.00 - 42.00	19.00 - 21.00	100.00 - 104.00
75 mm	75.00 - 75.90	102.00 - 104.00	42.00 - 44.00	25.00 - 27.00	107.00 - 111.00

END CAP

Dimensions (mm)

	Nominal Internal Diameter	Length	Penetration Length	Fusion Length	Over all Length
Sizes	D	L	L1	L2	L7

Pressure Rating: SDR11/PN16

90 mm	90.00 - 90.90	114.00 - 116.00	50.00 - 52.00	25.00 - 27.00	119.00 - 123.00
110mm	110.00 - 110.90	107.00 - 110.00	52.00 - 55.00	24.00 - 27.00	123.00 - 127.00
125 mm	125.00 - 126.00	142.00 - 145.00	63.00 - 66.00	30.00 - 33.00	141.00 - 145.00
140 mm	140.00 - 141.30	154.00 - 157.00	75.00 - 78.00	37.00 - 40.00	171.00 - 175.00
160 mm	160.00 - 161.50	167.00 - 170.00	82.00 - 85.00	34.00 - 37.00	182.00 - 186.00
180 mm	180.00 - 181.50	177.00 - 180.00	86.00 - 89.00	48.00 - 51.00	199.00 - 203.00
200 mm	200.00 - 201.80	186.00 - 189.00	92.00 - 95.00	49.00 - 52.00	201.00 - 205.00

Pressure Rating: SDR17/PN10

225 mm	225.00 - 227.10	206.00 - 210.00	101.00 - 105.00	56.00 - 60.00	236.00 - 242.00
250 mm	250.00 - 252.30	211.00 - 215.00	105.00 - 109.00	51.00 - 55.00	242.00 - 248.00
280 mm	280.00 - 282.60	219.00 - 224.00	111.00 - 115.00	56.00 - 60.00	252.00 - 259.00
315 mm	315.00 - 317.90	253.00 - 257.00	129.00 - 134.00	65.00 - 69.00	314.00 - 320.00

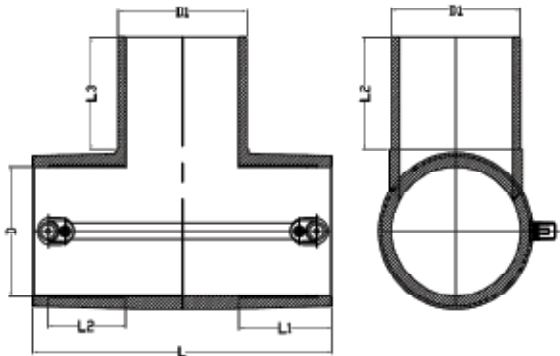


Equal Tee

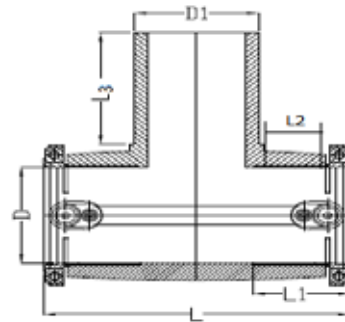
Standard: BS EN 12201-3:2011 / EN 1555-3 : 2021

Material : PE-100, Black Colour

Pressure Rating: SDR11/PN16



Without IC



With IC

Sizes	Nominal Internal Diameter		Overall Length	Penetration Length	Fusion Length	Spigot Length
	D (mm)	D1 (mm)	L (mm)	L1 (mm)	L2 (mm)	L3 (mm)
20 mm	20.00 - 20.45	20.00 - 20.40	99.00 - 101.00	40.00 - 42.00	21.00 - 23.00	43.00 - 45.00
25 mm	25.00 - 25.50	25.00 - 25.45	92.00 - 94.00	33.00 - 35.00	15.00 - 17.00	44.00 - 46.00
32 mm - IC	32.00 - 32.55	32.00 - 32.50	116.00 - 118.00	43.00 - 45.00	18.00 - 20.00	67.00 - 68.00
40 mm	40.00 - 40.55	40.00 - 40.50	137.00 - 139.00	46.00 - 48.00	16.00 - 18.00	50.00 - 52.00
50 mm	50.00 - 50.60	50.00 - 50.50	152.00 - 154.00	51.00 - 53.00	28.00 - 30.00	54.00 - 56.00
63 mm - IC	63.00 - 63.90	63.00 - 63.70	152.00 - 154.00	44.00 - 46.00	26.00 - 28.00	73.00 - 75.00
75 mm	75.00 - 75.90	75.00 - 75.80	185.00 - 187.00	60.00 - 62.00	30.00 - 32.00	69.00 - 71.00
90 mm	90.00 - 90.90	90.00 - 90.80	207.00 - 209.00	65.00 - 67.00	39.00 - 41.00	86.00 - 88.00

EQUAL TEE

Sizes	Nominal Internal Diameter		Overall Length	Penetration Length	Fusion Length	Spigot Length
	D (mm)	D1 (mm)	L (mm)	L1 (mm)	L2 (mm)	L4 (mm)
110mm	110.00 - 110.90	110.00 - 110.80	251.00 - 254.00	81.00 - 84.00	38.00 - 42.00	81.00 - 83.00
125mm	125.00 - 125.90	125.00 - 125.80	275.00 - 278.00	84.00 - 87.00	44.00 - 47.00	86.00 - 89.00
140 mm	140.00 - 140.90	140.00 - 140.70	271.00 - 274.00	81.00 - 84.00	35.00 - 38.00	91.00 - 94.00
160 mm	160.00 - 161.50	160.00 - 160.80	310.00 - 314.00	86.00 - 90.00	41.00 - 43.00	97.00 - 100.00

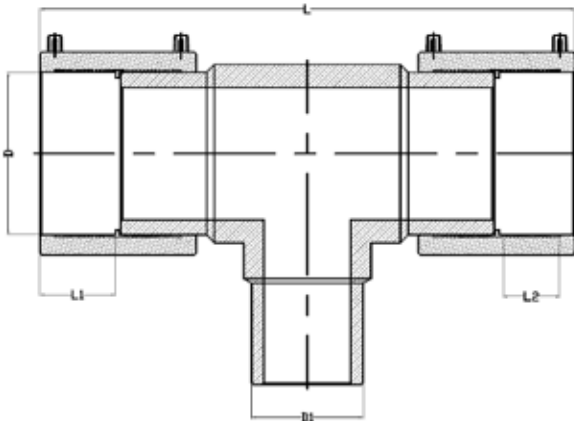


Equal Tee - Kit

Standard: BS EN 12201-3:2011 / EN 1555-3 : 2021

Material : PE-100, Black Colour

Pressure Rating: SDR11/PN16



Dimensions (mm)

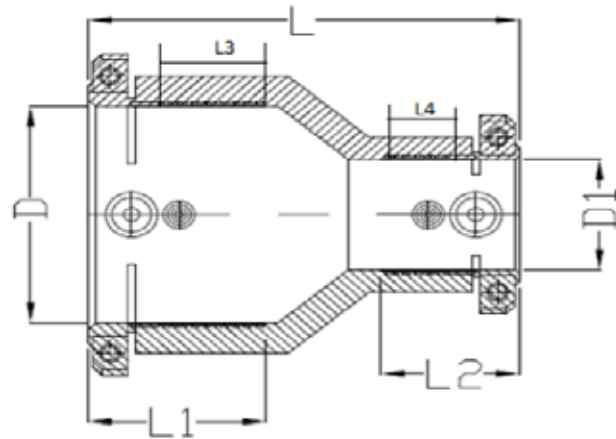
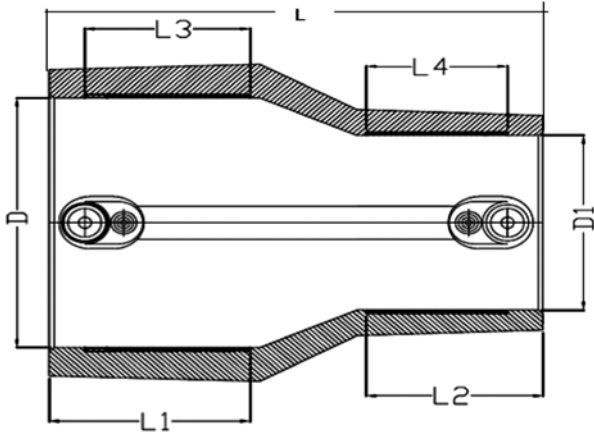
Size	Nominal Internal Diameter		Overall Length, Coupler	Penetration Length	Fusion Length
	D	D1	L	L1	L2
200 mm	200.00 - 201.80	200.00 - 201.50	645.00 - 660.00	92.00 - 95.00	49.00 - 52.00
225 mm	225.00 - 227.10	225.00 - 226.50	740.00 - 760.00	101.00 - 105.00	56.00 - 60.00
250 mm	250.00 - 252.30	250.00 - 251.50	780.00 - 797.00	105.00 - 109.00	51.00 - 55.00
280 mm	280.00 - 282.60	280.00 - 281.50	825.00 - 850.00	111.00 - 115.00	56.00 - 60.00
315 mm	315.00 - 317.90	315.00 - 316.50	900.00 - 945.00	129.00 - 134.00	65.00 - 69.00

Reducer

Standard: BS EN 12201-3:2011 / EN 1555-3 : 2021

Material : PE-100, Black Colour

Pressure Rating: SDR11/PN16



Without IC

With IC

Dimensions (mm)

Sizes	Nominal Internal Diameter		Overall Length	Penetration Length		Fusion Length	
	D	D1		L1	L2	L3	L4
25x20 mm	25.00 - 25.45	20.00 - 20.45	75.00 - 78.00	34.00 - 38.00	30.00 - 33.00	13.00 - 15.00	13.00 - 15.00
32x20 mm	32.00 - 32.55	20.00 - 20.45	81.00 - 84.00	41.00 - 44.00	30.00 - 33.00	16.00 - 18.00	16.00 - 18.00
32x25 mm	32.00 - 32.55	25.00 - 25.45	80.00 - 82.00	38.00 - 40.00	32.00 - 34.00	16.00 - 18.00	13.00 - 15.00
40x32 mm	40.00 - 40.55	32.00 - 32.55	102.00 - 105.00	46.00 - 49.00	39.00 - 42.00	22.00 - 25.00	17.00 - 21.00
50x32 mm	50.00 - 50.60	32.00 - 32.55	110.00 - 113.00	53.00 - 56.00	39.00 - 42.00	29.00 - 32.00	19.00 - 22.00
50x40 mm	50.00 - 50.60	40.00 - 40.55	110.00 - 112.00	52.00 - 54.00	38.00 - 40.00	28.00 - 31.00	18.00 - 21.00

Dimensions (mm)

Sizes	Nominal Internal Diameter		Overall Length	Penetration Length		Fusion Length	
	D	D1		L1	L2	L3	L4
63x32 mm - IC	63.00 - 63.90	32.00 - 32.55	108.00 - 111.00	46.00 - 49.00	40.00 - 43.00	21.00 - 23.00	15.00 - 17.00
75x63 mm	75.00 - 75.90	63.00 - 63.90	133.00 - 136.00	58.00 - 61.00	54.00 - 57.00	29.00 - 31.00	25.00 - 27.00
90x63 mm	90.00 - 90.90	63.00 - 63.90	151.00 - 154.00	65.00 - 68.00	50.00 - 53.00	37.00 - 39.00	29.00 - 31.00
90x75 mm	90.00 - 90.90	75.00 - 75.90	139.00 - 142.00	62.00 - 65.00	49.00 - 52.00	37.00 - 39.00	29.00 - 31.00
110x90 mm	110.00 - 110.90	90.00 - 90.90	164.00 - 167.00	73.00 - 76.00	57.00 - 60.00	41.00 - 43.00	31.00 - 33.00
125x63 mm	125.00 - 125.90	63.00 - 63.90	280.00 - 285.00	63.00 - 66.00	41.00 - 44.00	31.00 - 33.00	19.00 - 21.00
125x90 mm	125.00 - 125.90	90.00 - 90.90	182.00 - 185.00	77.00 - 80.00	52.00 - 55.00	34.00 - 36.00	25.00 - 27.00



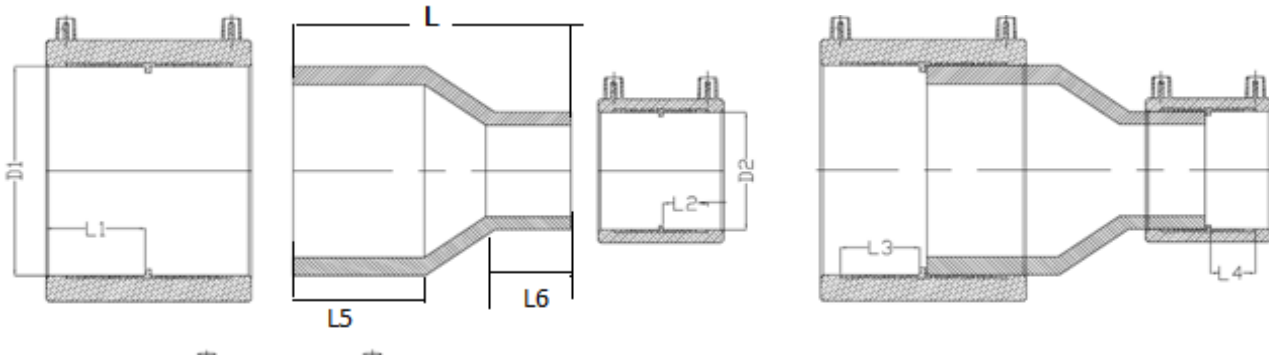
REDUCER KITS

Reducer Kits

Standard: BS EN 12201-3:2011 / EN 1555-3 : 2021

Material : PE-100, Black Colour

Pressure Rating: SDR17/PN10



Dimensions (mm)

Size	D1	D2	L	L1	L2	L3	L4	L5	L6
125x75 mm	125.00 - 126.00	75.00 - 75.90	186.00 - 190.00	63.00 - 66.00	42.00 - 44.00	30.00 - 33.00	25.00 - 27.00	86.00 - 90.00	66.00 - 70.00
125x110 mm	125.00 - 126.00	110.00 - 110.90	186.00 - 190.00	63.00 - 66.00	52.00 - 55.00	30.00 - 33.00	24.00 - 27.00	86.00 - 90.00	82.00 - 86.00
140x75 mm	140.00 - 141.30	75.00 - 75.90	196.00 - 200.00	75.00 - 78.00	42.00 - 44.00	37.00 - 40.00	25.00 - 27.00	86.00 - 90.00	66.00 - 70.00
140x90 mm	140.00 - 141.30	90.00 - 90.90	196.00 - 200.00	75.00 - 78.00	50.00 - 52.00	37.00 - 40.00	25.00 - 27.00	86.00 - 90.00	66.00 - 70.00
140x110 mm	140.00 - 141.30	110.00 - 110.90	176.00 - 180.00	75.00 - 78.00	52.00 - 55.00	37.00 - 40.00	24.00 - 27.00	83.00 - 87.00	76.00 - 80.00
140x125 mm	140.00 - 141.30	125.00 - 126.00	186.00 - 190.00	75.00 - 78.00	63.00 - 66.00	37.00 - 40.00	30.00 - 33.00	86.00 - 90.00	86.00 - 90.00
160x75 mm	160.00 - 161.50	75.00 - 75.90	231.00 - 235.00	82.00 - 85.00	42.00 - 44.00	34.00 - 37.00	25.00 - 27.00	101.00 - 105.00	66.00 - 70.00
160x90 mm	160.00 - 161.50	90.00 - 90.90	231.00 - 235.00	82.00 - 85.00	50.00 - 52.00	34.00 - 37.00	25.00 - 27.00	101.00 - 105.00	66.00 - 70.00

Dimensions (mm)

Size	D1	D2	L	L1	L2	L3	L4	L5	L6
160x110 mm	160.00 - 161.50	110.00 - 110.90	231.00 - 235.00	82.00 - 85.00	52.00 - 55.00	34.00 - 37.00	24.00 - 27.00	101.00 - 105.00	82.00 - 86.00
160x125 mm	160.00 - 161.50	125.00 - 126.00	226.00 - 230.00	82.00 - 85.00	63.00 - 66.00	34.00 - 37.00	30.00 - 33.00	101.00 - 105.00	84.00 - 90.00
160x140 mm	160.00 - 161.50	140.00 - 141.30	206.00 - 210.00	82.00 - 85.00	75.00 - 78.00	34.00 - 37.00	37.00 - 40.00	101.00 - 105.00	84.00 - 90.00
180x90 mm	180.00 - 181.50	90.00 - 90.90	243.00 - 247.00	86.00 - 89.00	50.00 - 52.00	48.00 - 51.00	25.00 - 27.00	101.00 - 105.00	66.00 - 70.00
180x110 mm	180.00 - 181.50	110.00 - 110.90	243.00 - 247.00	86.00 - 89.00	52.00 - 55.00	48.00 - 51.00	24.00 - 27.00	101.00 - 105.00	82.00 - 86.00
180x125 mm	180.00 - 181.50	125.00 - 126.00	243.00 - 247.00	86.00 - 89.00	63.00 - 66.00	48.00 - 51.00	30.00 - 33.00	101.00 - 105.00	86.00 - 90.00
180x140 mm	180.00 - 181.50	140.00 - 141.30	243.00 - 247.00	86.00 - 89.00	75.00 - 78.00	48.00 - 51.00	37.00 - 40.00	101.00 - 105.00	86.00 - 90.00
180x160 mm	180.00 - 181.50	160.00 - 161.50	243.00 - 247.00	86.00 - 89.00	82.00 - 85.00	48.00 - 51.00	34.00 - 37.00	101.00 - 105.00	98.00 - 102.00
200x90 mm	200.00 - 201.80	90.00 - 90.90	261.00 - 265.00	92.00 - 95.00	50.00 - 52.00	49.00 - 52.00	25.00 - 27.00	106.00 - 110.00	66.00 - 70.00
200x110 mm	200.00 - 201.80	110.00 - 110.90	251.00 - 255.00	92.00 - 95.00	52.00 - 55.00	49.00 - 52.00	24.00 - 27.00	106.00 - 110.00	82.00 - 86.00
200x125 mm	200.00 - 201.80	125.00 - 126.00	261.00 - 265.00	92.00 - 95.00	63.00 - 66.00	49.00 - 52.00	30.00 - 33.00	106.00 - 110.00	86.00 - 90.00
200x140 mm	200.00 - 201.80	140.00 - 141.30	256.00 - 260.00	92.00 - 95.00	75.00 - 78.00	49.00 - 52.00	37.00 - 40.00	106.00 - 110.00	86.00 - 90.00
200x160 mm	200.00 - 201.80	160.00 - 161.50	261.00 - 265.00	92.00 - 95.00	82.00 - 85.00	49.00 - 52.00	34.00 - 37.00	106.00 - 110.00	100.00 - 104.00
200x180 mm	200.00 - 201.80	180.00 - 181.50	261.00 - 265.00	92.00 - 95.00	86.00 - 89.00	49.00 - 52.00	48.00 - 51.00	106.00 - 110.00	101.00 - 105.00
225x90 mm	225.00 - 227.10	90.00 - 90.90	261.00 - 265.00	101.00 - 105.00	50.00 - 52.00	56.00 - 60.00	25.00 - 27.00	114.00 - 118.00	66.00 - 70.00
225x110 mm	225.00 - 227.10	110.00 - 110.90	261.00 - 265.00	101.00 - 105.00	52.00 - 55.00	56.00 - 60.00	24.00 - 27.00	114.00 - 118.00	82.00 - 86.00
225x125 mm	225.00 - 227.10	125.00 - 126.00	261.00 - 265.00	101.00 - 105.00	63.00 - 66.00	56.00 - 60.00	30.00 - 33.00	114.00 - 118.00	86.00 - 90.00

REDUCER KITS

Dimensions (mm)

Size	D1	D2	L	L1	L2	L3	L4	L5	L6
225x140 mm	225.00 - 227.10	140.00 - 141.30	261.00 - 265.00	101.00 - 105.00	75.00 - 78.00	56.00 - 60.00	37.00 - 40.00	114.00 - 118.00	86.00 - 90.00
225x160 mm	225.00 - 227.10	160.00 - 161.50	261.00 - 265.00	101.00 - 105.00	82.00 - 85.00	56.00 - 60.00	34.00 - 37.00	114.00 - 118.00	101.00 - 105.00
225x180 mm	225.00 - 227.10	180.00 - 181.50	261.00 - 265.00	101.00 - 105.00	86.00 - 89.00	56.00 - 60.00	48.00 - 51.00	114.00 - 118.00	101.00 - 105.00
225x200 mm	225.00 - 227.10	200.00 - 201.80	261.00 - 265.00	101.00 - 105.00	92.00 - 95.00	56.00 - 60.00	49.00 - 52.00	114.00 - 118.00	108.00 - 112.00
250x110 mm	250.00 - 252.30	110.00 - 110.90	290.00 - 294.00	105.00 - 109.00	52.00 - 55.00	51.00 - 55.00	24.00 - 27.00	126.00 - 130.00	82.00 - 86.00
250x125 mm	250.00 - 252.30	125.00 - 126.00	296.00 - 300.00	105.00 - 109.00	63.00 - 66.00	51.00 - 55.00	30.00 - 33.00	126.00 - 130.00	86.00 - 90.00
250x140 mm	250.00 - 252.30	140.00 - 141.30	296.00 - 300.00	105.00 - 109.00	75.00 - 78.00	51.00 - 55.00	37.00 - 40.00	126.00 - 130.00	86.00 - 90.00
250x160 mm	250.00 - 252.30	160.00 - 161.50	286.00 - 290.00	105.00 - 109.00	82.00 - 85.00	51.00 - 55.00	34.00 - 37.00	126.00 - 130.00	98.00 - 102.00
250x180 mm	250.00 - 252.30	180.00 - 181.50	296.00 - 300.00	105.00 - 109.00	86.00 - 89.00	51.00 - 55.00	48.00 - 51.00	126.00 - 130.00	101.00 - 105.00
250x200 mm	250.00 - 252.30	200.00 - 201.80	296.00 - 300.00	105.00 - 109.00	92.00 - 95.00	51.00 - 55.00	49.00 - 52.00	126.00 - 130.00	108.00 - 113.00
250x225 mm	250.00 - 252.30	225.00 - 227.10	296.00 - 300.00	105.00 - 109.00	101.00 - 105.00	51.00 - 55.00	56.00 - 60.00	125.00 - 131.00	113.00 - 119.00
280x110 mm	280.00 - 282.60	110.00 - 110.90	319.00 - 325.00	111.00 - 115.00	52.00 - 55.00	56.00 - 60.00	24.00 - 27.00	129.00 - 135.00	85.00 - 91.00
280x125 mm	280.00 - 282.60	125.00 - 126.00	319.00 - 325.00	111.00 - 115.00	63.00 - 66.00	56.00 - 60.00	30.00 - 33.00	129.00 - 135.00	85.00 - 91.00
280x140 mm	280.00 - 282.60	140.00 - 141.30	319.00 - 325.00	111.00 - 115.00	75.00 - 78.00	56.00 - 60.00	37.00 - 40.00	129.00 - 135.00	85.00 - 91.00
280x160 mm	280.00 - 282.60	160.00 - 161.50	319.00 - 325.00	111.00 - 115.00	82.00 - 85.00	56.00 - 60.00	34.00 - 37.00	129.00 - 135.00	97.00 - 103.00
280x180 mm	280.00 - 282.60	180.00 - 181.50	319.00 - 325.00	111.00 - 115.00	86.00 - 89.00	56.00 - 60.00	48.00 - 51.00	129.00 - 135.00	100.00 - 106.00
280x200 mm	280.00 - 282.60	200.00 - 201.80	295.00 - 301.00	111.00 - 115.00	92.00 - 95.00	56.00 - 60.00	49.00 - 52.00	129.00 - 135.00	105.00 - 111.00

Dimensions (mm)

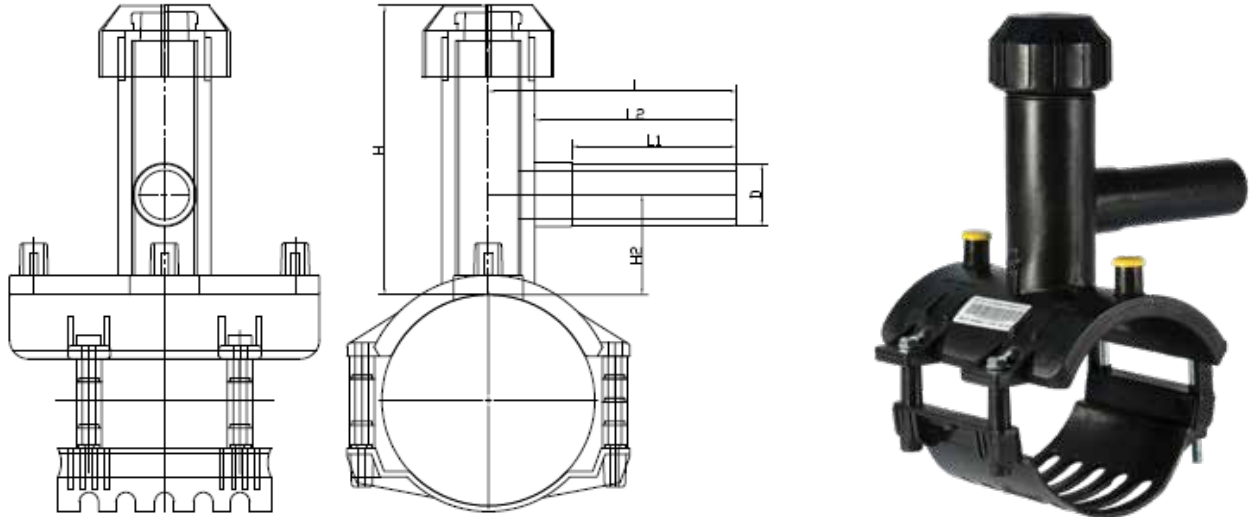
Size	D1	D2	L	L1	L2	L3	L4	L5	L6
280x225 mm	280.00 - 282.60	225.00 - 227.10	295.00 - 301.00	111.00 - 115.00	101.00 - 105.00	56.00 - 60.00	56.00 - 60.00	129.00 - 135.00	113.00 - 119.00
280x250 mm	280.00 - 282.60	250.00 - 252.30	295.00 - 301.00	111.00 - 115.00	105.00 - 109.00	56.00 - 60.00	51.00 - 55.00	129.00 - 135.00	125.00 - 131.00
315x110 mm	315.00 - 317.90	110.00 - 110.90	360.00 - 366.00	129.00 - 134.00	52.00 - 55.00	65.00 -69.00	24.00 - 27.00	145.00 - 151.00	83.00 - 89.00
315x140 mm	315.00 - 317.90	140.00 - 141.30	360.00 - 366.00	129.00 - 134.00	75.00 - 78.00	65.00 -69.00	37.00 - 40.00	145.00 - 151.00	85.00 - 91.00
315x160 mm	315.00 - 317.90	160.00 - 161.50	360.00 - 366.00	129.00 - 134.00	82.00 - 85.00	65.00 -69.00	34.00 - 37.00	145.00 - 151.00	97.00 - 103.00
315x180 mm	315.00 - 317.90	180.00 - 181.50	360.00 - 366.00	129.00 - 134.00	86.00 - 89.00	65.00 -69.00	48.00 - 51.00	145.00 - 151.00	100.00 - 106.00
315x200 mm	315.00 - 317.90	200.00 - 201.80	360.00 - 366.00	129.00 - 134.00	92.00 - 95.00	65.00 -69.00	49.00 - 52.00	145.00 - 151.00	105.00 - 111.00
315x225 mm	315.00 - 317.90	225.00 - 227.10	360.00 - 366.00	129.00 - 134.00	101.00 - 105.00	65.00 -69.00	56.00 - 60.00	145.00 - 151.00	113.00 - 119.00
315x250 mm	315.00 - 317.90	250.00 - 252.30	360.00 - 366.00	129.00 - 134.00	105.00 - 109.00	65.00 -69.00	51.00 - 55.00	145.00 - 151.00	125.00 - 131.00
315x280 mm	315.00 - 317.90	280.00 - 282.60	360.00 - 366.00	129.00 - 134.00	111.00 - 115.00	65.00 -69.00	56.00 - 60.00	145.00 - 151.00	129.00 - 135.00

Tapping Tee

Standard: BS EN 12201-3:2011 / EN 1555-3 : 2021

Material : PE-100, Black Colour

Pressure Rating: SDR11/PN16



Dimensions (mm)

Sizes	H	H2	L	L1	L2	D
32x20 mm	67.00 - 71.00	13.00 - 17.00	85.00 - 88.00	57.00 - 60.00	70.00 - 73.00	20.00 - 20.50
63x20 mm	108.00 - 112.00	15.00 - 19.00	111.00 - 115.00	71.00 - 74.00	87.00 - 90.00	20.00 - 20.50
63x25 mm	110.00 - 114.00	18.00 - 22.00	124.00 - 127.00	71.00 - 73.00	99.00 - 102.00	25.00 - 25.50
63x32 mm	110.00 - 114.00	15.00 - 19.00	124.00 - 127.00	71.00 - 73.00	101.00 - 103.00	32.00 - 32.50
75x20 mm	150.00 - 154.00	49.00 - 53.00	126.00 - 129.00	82.00 - 85.00	101.00 - 103.00	20.00 - 20.50
75x25 mm	152.00 - 156.00	49.00 - 53.00	125.00 - 129.00	82.00 - 85.00	101.00 - 103.00	25.00 - 25.50
75x32 mm	151.00 - 155.00	48.00 - 52.00	125.00 - 129.00	82.00 - 85.00	102.00 - 105.00	32.00 - 32.50

Dimensions (mm)

Sizes	H	H2	L	L1	L2	D
90x20 mm	153.00 - 157.00	48.00 - 52.00	126.00 - 130.00	83.00 - 86.00	102.00 - 105.00	20.00 - 20.50
90x25 mm	151.00 - 155.00	48.00 - 52.00	126.00 - 130.00	83.00 - 86.00	102.00 - 105.00	25.00 - 25.50
90x32 mm	152.00 - 156.00	48.00 - 52.00	126.00 - 130.00	83.00 - 86.00	102.00 - 105.00	32.00 - 32.50
110x20 mm	153.00 - 157.00	49.00 - 53.00	126.00 - 130.00	83.00 - 86.00	102.00 - 105.00	20.00 - 20.50
110x25 mm	152.00 - 156.00	51.00 - 55.00	126.00 - 130.00	82.00 - 85.00	101.00 - 104.00	25.00 - 25.50
110x32 mm	152.00 - 156.00	51.00 - 55.00	127.00 - 131.00	83.00 - 86.00	103.00 - 106.00	32.00 - 32.50
125x20 mm	154.00 - 158.00	52.00 - 56.00	126.00 - 130.00	81.00 - 84.00	100.00 - 103.00	20.00 - 20.50
125x25 mm	154.00 - 158.00	52.00 - 56.00	126.00 - 130.00	83.00 - 86.00	101.00 - 104.00	25.00 - 25.50
125x32 mm	155.00 - 159.00	53.00 - 57.00	124.00 - 128.00	81.00 - 84.00	100.00 - 103.00	32.00 - 32.50
125x63 mm	216.00 - 221.00	77.00 - 82.00	130.00 - 135.00	85.00 - 89.00	93.00 - 96.00	63.00 - 63.50
140x20 mm	149.00 - 153.00	48.00 - 52.00	126.00 - 130.00	83.00 - 86.00	101.00 - 104.00	20.00 - 20.50
140x25 mm	149.00 - 153.00	46.00 - 50.00	126.00 - 130.00	83.00 - 86.00	101.00 - 104.00	25.00 - 25.50
140x32 mm	150.00 - 154.00	46.00 - 50.00	126.00 - 130.00	82.00 - 85.00	101.00 - 104.00	32.00 - 32.50
160x20 mm	149.00 - 153.00	48.00 - 52.00	127.00 - 131.00	84.00 - 87.00	102.00 - 105.00	20.00 - 20.50
160x25 mm	149.00 - 153.00	49.00 - 53.00	126.00 - 130.00	82.00 - 85.00	101.00 - 104.00	25.00 - 25.50
160x32 mm	149.00 - 153.00	47.00 - 51.00	125.00 - 129.00	82.00 - 85.00	100.00 - 103.00	32.00 - 32.50

TAPPING TEE

Dimensions (mm)

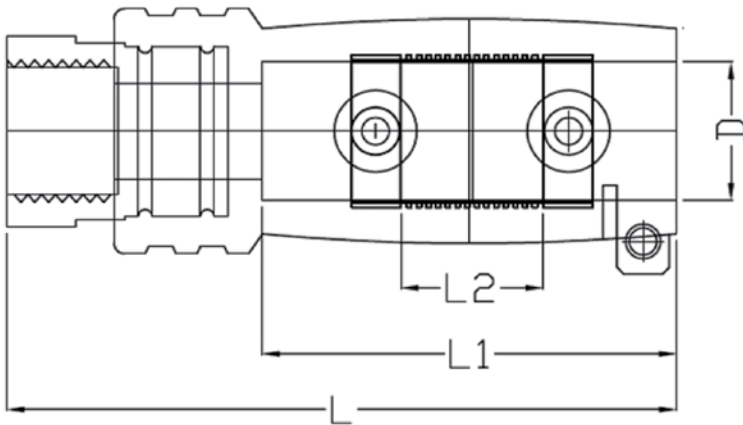
Sizes	H	H2	L	L1	L2	D
180x20 mm	152.00 - 1456.00	48.00 - 53.00	127.00 - 131.00	84.00 - 87.00	102.00 - 105.00	20.00 - 20.50
180x25 mm	152.00 - 1456.00	49.00 - 53.00	126.00 - 130.00	82.00 - 85.00	101.00 - 104.00	25.00 - 25.50
180x32 mm	152.00 - 1456.00	47.00 - 53.00	125.00 - 129.00	82.00 - 85.00	100.00 - 103.00	32.00 - 32.50
200x20 mm	156.00 - 161.00	49.00 - 55.00	128.00 - 132.00	84.00 - 87.00	102.00 - 105.00	20.00 - 20.50
200x25 mm	156.00 - 161.00	48.00 - 53.00	128.00 - 132.00	82.00 - 85.00	101.00 - 104.00	25.00 - 25.50
200x32 mm	156.00 - 161.00	48.00 - 53.00	128.00 - 132.00	82.00 - 85.00	100.00 - 103.00	32.00 - 32.50

Transition Coupler - IC

Standard: BS EN 12201-3:2011 / EN 1555-3 : 2021

Material : PE-100, Black Colour

Pressure Rating: SDR11/PN16



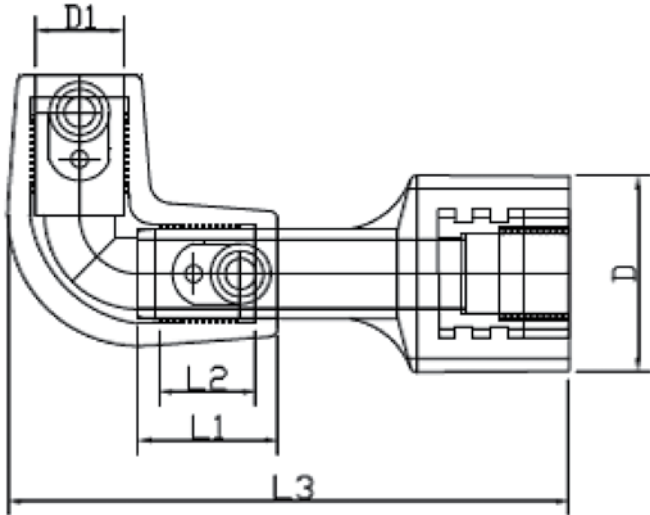
Size	Dimensions(mm)				Thread
	D	L	L1	L2	
20x1/2" - IC	20.00 - 20.50	96.00 - 99.00	61.00 - 63.00	16.00 - 18.00	1/2" NPT/BSP
32x1/2" - IC	32.00 - 32.50	103.00 - 106.00	49.00 - 51.00	18.00- 20.00	1/2" NPT/BSP
32x3/4" - IC	32.00 - 32.50	103.00 - 106.00	49.00 - 51.00	18.00- 20.00	3/4" NPT/BSP
32x1" - IC	32.00 - 32.50	103.00 - 106.00	49.00 - 51.00	18.00- 20.00	1" NPT/BSP

Transition Elbow

Standard: BS EN 12201-3:2011 / EN 1555-3 : 2021

Material : PE-100, Black Colour

Pressure Rating: SDR11/PN16



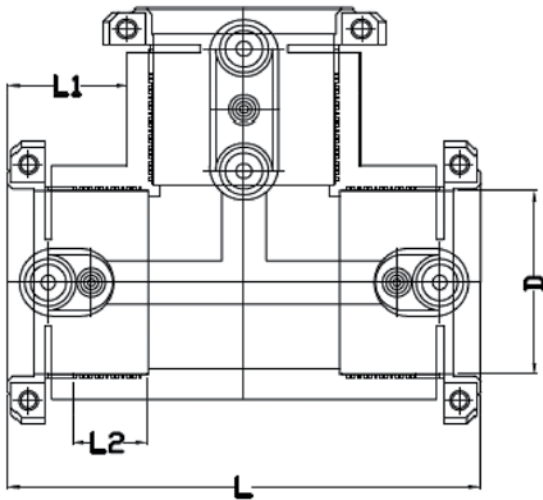
Size	Dimensions(mm)					
	D	D1	L3	L1	L2	Thread
20x1/2"	40.00 - 42.00	20.00 - 20.50	156.00 - 160.00	31.00 - 33.00	15.00 - 17.00	1/2" NPT/BSP
25x3/4"	45.00 - 47.00	25.00 - 25.50	131.00 - 134.00	35.00 - 37.00	11.00 - 13.00	3/4" NPT/BSP
32x1/2"	49.00 - 54.00	32.00 - 32.50	156.00 - 160.00	35.00 - 37.00	14.00 - 16.00	1/2" NPT/BSP
32x3/4"	49.00 - 54.00	32.00 - 32.50	156.00 - 160.00	35.00 - 37.00	14.00 - 16.00	3/4" NPT/BSP
32x1"	49.00 - 54.00	32.00 - 32.50	156.00 - 160.00	35.00 - 37.00	14.00 - 16.00	1" NPT/BSP

All Electro Fusion Equal Tees - IC

Standard: BS EN 12201-3:2011 / EN 1555-3 : 2021

Material : PE-100, Black Colour

Pressure Rating: SDR 17 / PN 10

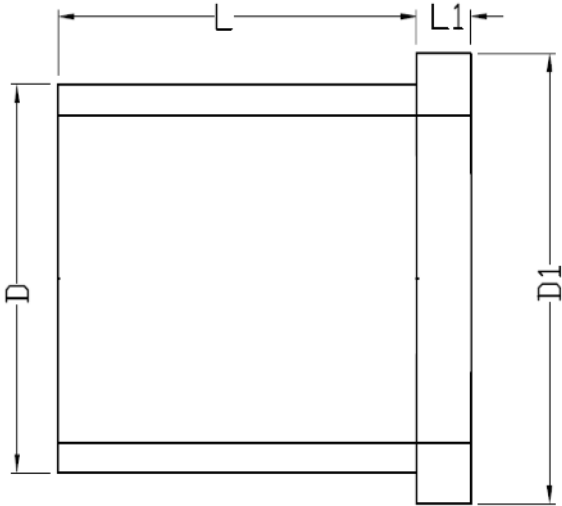


Size	Diameter D	Dimensions(mm)		
		Overall Length L	Penetration Length L1	Fusion Length L2
50 mm - IC	50.00 - 50.60	130.00 – 133.00	41.00 – 43.00	17.00 -19.00
63 mm - IC	63.00 - 63.90	153.00 – 156.00	46.00 – 49.00	26.00 – 28.00

Stub End

Standard: BS EN 12201-3:2011 / EN 1555-3 : 2021

Material : PE-100, Black Colour



Size	Dimensions (mm)			
	D	D1	L1	L
Pressure Rating: SDR11/PN16				
20 mm	20.00 - 20.30	52.00 - 54.00	6.00 - 8.00	56.00 - 58.00
25 mm	25.00 - 25.30	58.00 - 60.00	7.00 - 9.00	57.00 - 59.00
32 mm	32.00 - 32.30	68.00 - 70.00	9.00 - 11.00	59.00 - 61.00
40 mm	40.00 - 40.40	72.00 - 74.00	10.00 - 12.00	60.00 - 62.00
50 mm	50.00 - 50.50	83.00 - 85.00	11.00 - 13.00	86.00 - 88.00
63 mm	63.00 - 63.60	95.00 - 97.00	13.00 - 15.00	88.00 - 91.00
75 mm	75.00 - 75.70	107.00 - 111.00	15.00 - 18.00	90.00 - 92.00
90 mm	90.00 - 90.90	127.00 - 130.00	16.00 - 18.00	141.00 - 143.00

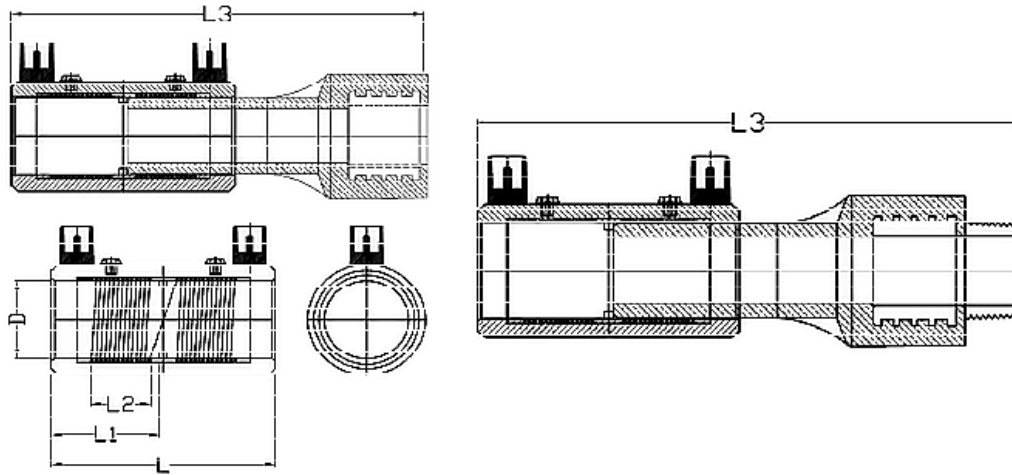
110 mm	110.00 - 111.00	158.00 - 162.00	17.00 - 19.00	142.00 - 144.00
	Dimensions (mm)			
Size	D	DI	L1	L
Pressure Rating: SDR11/PN16				
125 mm	125.00 - 126.10	190.00 - 194.00	19.00 - 21.00	144.00 - 146.00
140 mm	140.00 - 141.30	215.00 - 219.00	21.00 - 23.00	146.00 - 148.00
160 mm	160.00 - 161.50	215.00 - 219.00	23.00 - 24.00	173.00 - 175.00
180 mm	180.00 - 181.70	271.00 - 277.00	25.00 - 26.00	175.00 - 177.00
Pressure Rating: SDR17/PN10				
200 mm	200.00 - 201.80	271.00 - 277.00	25.00 - 27.00	175.00 - 177.00
225 mm	225.00 - 227.10	271.00 - 277.00	27.00 - 29.00	177.00 - 179.00
250 mm	250.00 - 252.30	329.00 - 335.00	27.00 - 29.00	227.00 - 229.00
280 mm	280.00 - 282.60	329.00 - 335.00	29.00 - 31.00	229.00 - 231.00
315 mm	315.00 - 317.90	379.00 - 385.00	31.00 - 33.00	231.00 - 233.00

Transition Coupler Fitting - Kit

Standard: BS EN 12201-3:2011 / EN 1555-3 : 2021

Material : PE-100, Black Colour

Pressure Rating: SDR11 (PN16) , SDR 17 (PN10)



Dimensions(mm)

Size	Nominal Internal Diameter D	Overall Length, Coupler L	Penetration Length L1	Fusion Length L2	Overall Length L3	Thread
20x1/2" Female	20.00 - 20.45	68.00 - 70.00	33.00 - 35.00	17.00 - 19.00	128.00 - 130.00	1/2" BSP/ NPT
25x3/4" Female	25.00 - 25.45	68.00 - 70.00	32.00 - 34.00	13.00 - 15.00	127.00 - 130.00	3/4" BSP/ NPT
32x3/4" Female	32.00 - 32.55	69.00 - 71.00	31.00 - 33.00	14.00 - 16.00	148.00 - 150.00	3/4" BSP/ NPT
32x1" Female	32.00 - 32.55	69.00 - 71.00	31.00 - 33.00	14.00 - 16.00	148.00 - 150.00	1" BSP/ NPT
63x1.1/2" Male	63.00 - 63.90	87.00 - 89.00	40.00 - 42.00	19.00 - 21.00	195.00 - 205.00	1.1/2" BSPT
63x1.1/2" Female	63.00 - 63.90	87.00 - 89.00	40.00 - 42.00	19.00 - 21.00	200.00 - 210.00	1.1/2" BSPT

Dimensions(mm)

Size	Nominal Internal Diameter D	Overall Length, Coupler L	Penetration Length L1	Fusion Length L2	Overall Length L3	Thread
63x2" Female	63.00 - 63.90	87.00 - 89.00	40.00 - 42.00	19.00 - 21.00	200.00 - 210.00	2" BSP
63x2" Male	63.00 - 63.90	87.00 - 89.00	40.00 - 42.00	19.00 - 21.00	161.00 - 170.00	2" BSPT
90x3" Male	90.00 - 90.90	114.00 - 116.0	50.00 - 52.00	25.00 - 27.00	214.00 - 227.00	3" BSPT
90x3" Female	90.00 - 90.90	114.00 - 116.0	50.00 - 52.00	25.00 - 27.00	212.00 - 226.00	3" BSP
110x4" Female	110.00 - 110.90	107.00 - 110.00	52.00 - 55.00	24.00 - 27.00	223.00 - 235.00	4" BSP





www.alaziz.com

Corporate Office:

3, Nateline Industrial Estate, Sakinaka, Andheri (E),
Mumbai 400 072. India.

T: +91 - 22 - 2851 2590, 2851 0273

F: +91 - 22 - 2859 3434

Factory:

Al Aziz Plastics Pvt.Ltd.
Talasari, Maharashtra 401 606

Al Aziz Polymers
Kachigam, Daman-396 215

Pasion International
Tal. Vasai, Dist. Thane – 401 202

E: customerfeedback@alaziz.com
Care: +91 - 22 - 2851 2590